

### How to re-hand a Saffire LX-M / LZ-M

You will need:

To take a Left Hand lock & convert to Right Hand:

- 504312-K-630-K – Right Hand Strike (Satin Chrome)
- 118-515504-6R – Right Hand Cassette
- PK2907 – Right Hand Privacy Sticker

To take a Right Hand lock & convert to Left hand:

- 504131-630-K – Left hand Strike (Satin Chrome)
- 118-515504-6L - Left Hand Cassette
- PK2906 – Left Hand Privacy Sticker

1) Take the inside trim



2) Flip over & remove these two screws



3) Remove current Cassette



4) Replace with new Cassette



5) Replace Screws



6) [Re-Hand Mortise Body](#)



7) Before re-installing on Door, make sure spindle hub on outside trim is in correct position

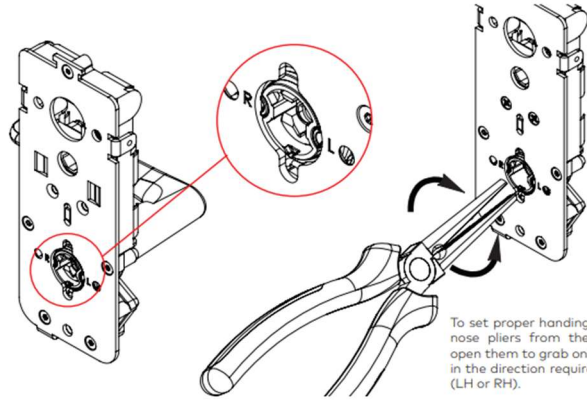


For LH Locks notch on hub should be at 12 O'Clock position, pointing to L  
For RH Locks notch on hub should be at 3 O'Clock position, pointing to R

8) Make sure inside trim has lever in correct position:

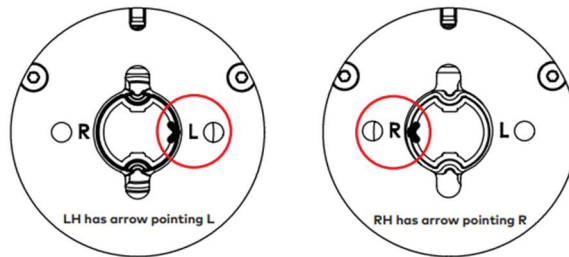
- Remove Snap-Holder
- Rotate Lever to 6 O'Clock position & pull out (Make sure not to lose inside lever bushing & compression spring)

---Continued on next page---



To set proper handing, insert the needle nose pliers from the back plate side, open them to grab on the edge and turn in the direction required for the handing (LH or RH).

RIGHT HAND OF LEFT HAND SELECTION



- Re-install inside lever following directions on page 11 of [install manual](#)



9) Make sure correct "Privacy Sticker" is applied. (Arrow should be pointing away from strike. See part numbers on page 1, or 062-510820-G = 1qty of ea L & R stickers)

10) Install correct strike on frame