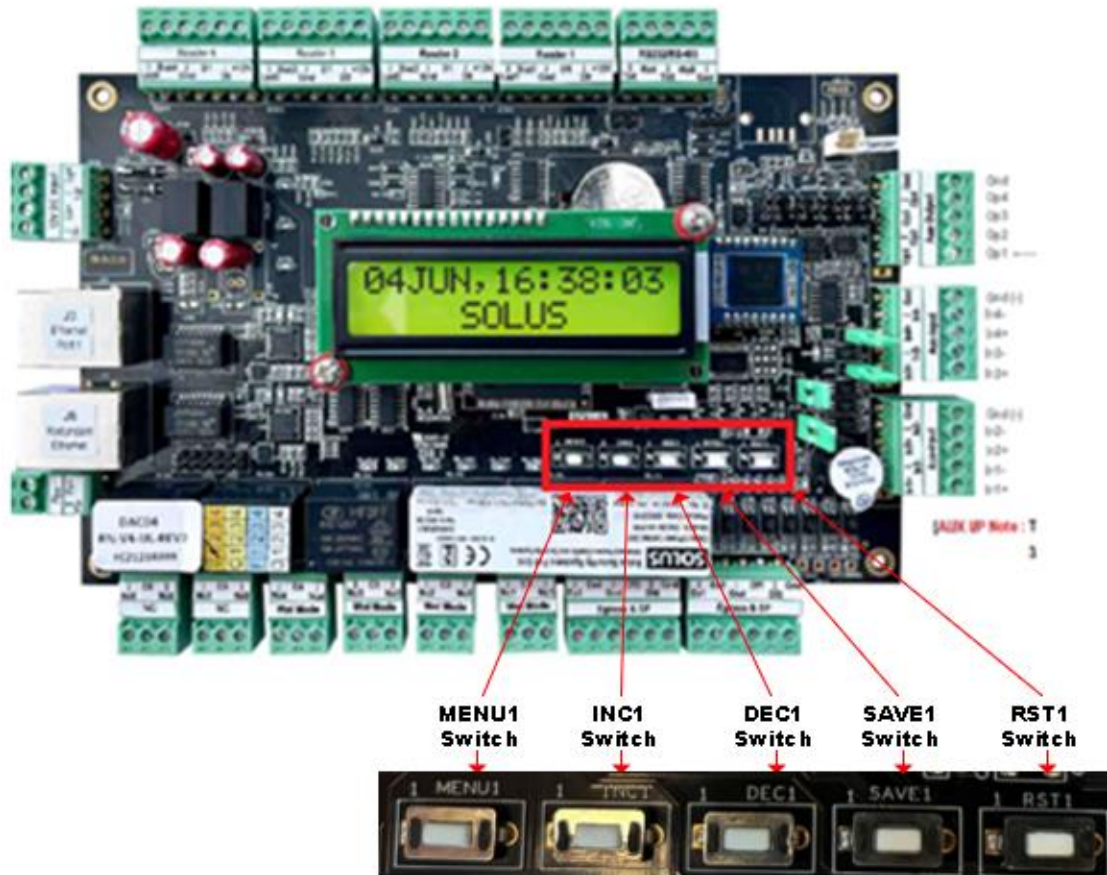


Keyscan Aurora KC Panel Interface

Introduction

Typically the onboard interface is not used. Setup is done through the web interface. Please refer to the setup guide for initial setup assistance.



Buttons

MENU1	Used to enter, scroll & exit the onboard menu
INC1	Used to scroll through the menu options & settings
DEC1	Used to scroll through the menu options & settings
SAVE1	Used to save changes
RST1	Resets the device

Menu

Access the menu by pressing & holding the MENU1 button until the ADMIN PIN 0 prompt.

Use the INC1 & DEC1 buttons to change the value to 27 & press SAVE1.

Scroll through the menu by pressing the INC1 & DEC1 buttons.

To make changes to the selected item, press MENU1.

Use MENU1 to scroll within the menu.

Use INC1 & DEC1 to change values within the menu.

Press SAVE1 to save any changes.

When finished, scroll to Exit Menu Press Menu Key option & press MENU1.

Menu Items

IP Address	IP address of the controller (default setting: 192.168.001.251)
Server Port No	Communication port (default setting: 8000)
HTTP Port No	Web interface port (default setting: 80)
Device Pswrd Res	Onboard interface password (default setting: 27)
Remote IP 1	IP address of the server (default setting: 192.168.001.249)
Firmware Version	Device firmware revision
Bootloader Ver	Device firmware revision
Ethernet Option	Unsupported, do not change (default setting: Single Ethernet)
Remote Web Enabl	Enables/Disables the web interface (default setting: On)
Exit Menu	Used to exit the interface