

---

# SRK-RNFC0 Flush Mount Reader

---

## Installation Guide

This guide outlines how to connect the SRK-RNFC0 Flush Mount Reader.

Contents		Parts List	
Features	1	Reader module with mounting bracket	1
Connections	2	Stainless steel cover plate	1
Wallboard Mount Adapter Plate Mounting Template	4	Wallboard mount adapter plate	1
Custom Firmware Requirement	7		
Specifications	7		

## Features

- Proximity RFID technology
- Compatible with Kaba Saflok credentials
- Durable materials and construction
- LED power indicator
- Compact, lightweight, and water resistant

Figure 1 – SRK-RNFC0 – Flush Mount Reader



**dormakaba Canada Inc.**

901 Burns St., E. Whitby, Ontario, Canada L1N 0E6

1.888.539.7226 (toll free Canada/USA)

905.430.7226 (elsewhere)

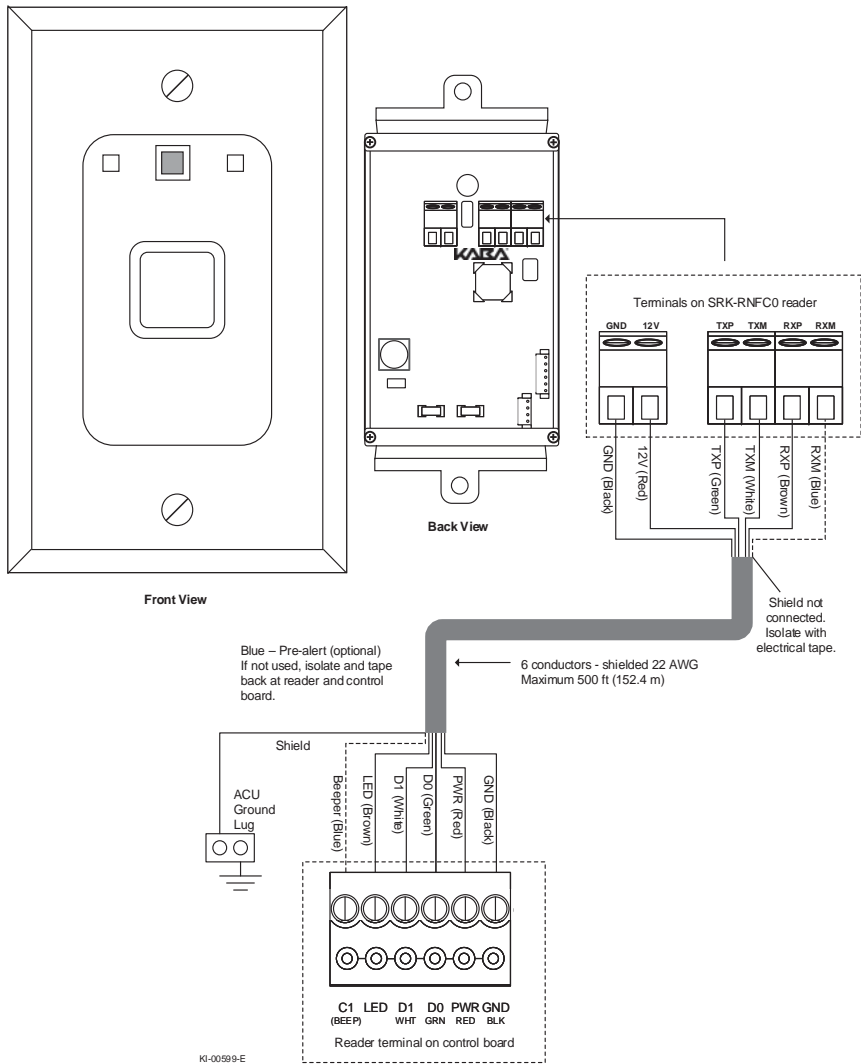
www.keyscan.ca

**Technical Support**

Hours – 9:00 A.M. to 6:30 P.M. Eastern Time, Monday to Friday

SRK-RNFC0 Installation Guide – KD10088-0918

Figure 2 – SRK-RNFC0 Connections to a PC109x Control Board



## Custom Firmware Requirement

Keyscan CA150 ACUs (PC1156 dipswitch version board) with custom firmware #CF10010 V1.63. Keyscan CA250, CA4500, CA8500 ACUs (PC1097 dipswitch version board), EC1500 or EC2500 ECUs with custom firmware #CF10004. To be able to read the unique Saflok credential bit structure.

## Specifications

### Dimensions

1 3/4" (W) x 2 13/16" (L) x 13/16" (D) / 44 mm x 67 mm x 21 mm

Excludes mounting bracket

### Power Requirements

12 VDC, 200 mA maximum - idle current 10 mA

### Cable

6 conductor shielded 22 AWG cable—152 metres (500 feet) maximum

### Weight

3.2 ounces / 90.7 grams

### Environmental

Operating Temperature: -35 to 66 °C (-31 to 151 °F)

This page is left intentionally blank.

This page is left intentionally blank.

Figure 3 – Wallboard Mount Adapter Plate Mounting Template

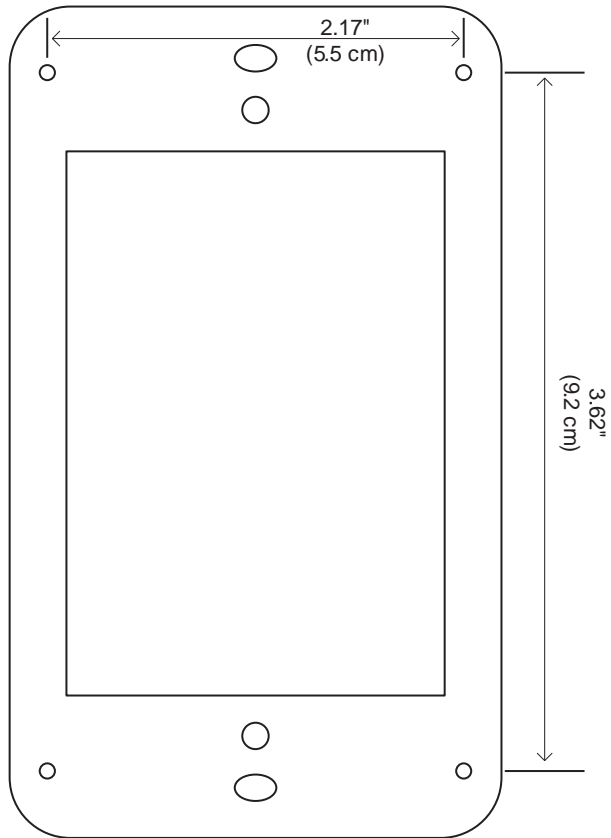
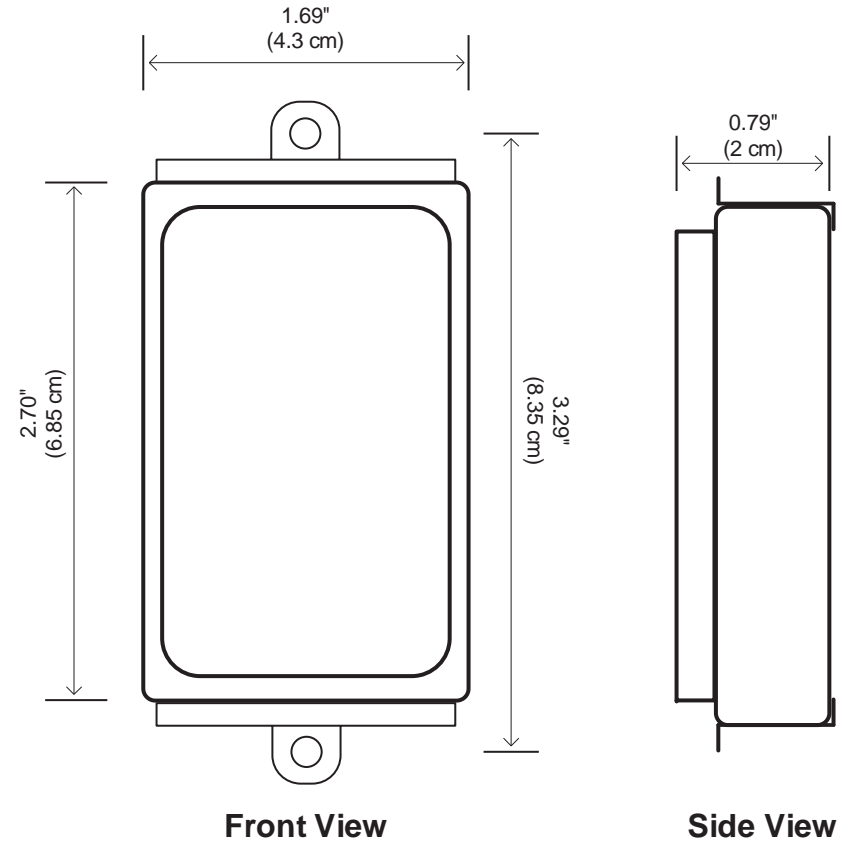


Figure 4 – SRK-RNFC0 Reader Dimensions



To install, mark the holes on each of the four corners of the adapter onto the wall, draw a line connecting the holes and cut the rectangle out.

**Note:** The SRK-RNFC0 is mounted into drywall only; not to be installed with standard electrical boxes.